

Type B Tubing Anchor Catcher

Anchor for enhanced pumping efficiency

APPLICATIONS

- Rod lifted wells with production tubing to reduce tubing movement caused by cyclical loading

BENEFITS

- Reduces wear on rods, tubing, and casing
- Improves pumping efficiency
- Lowers operating costs

FEATURES

- Easy setting — left to set, right to release
- Right to set, left to release also available
- Adjustable shear rating
- Available carbide and wicker slips

The installation of a tubing anchor is a common and beneficial addition to every rod lifted well. Maintaining pull tension on the tubing string greatly reduces tubing movement caused by cyclical loading created during normal operation of the sucker rod pump. The reduction of tubing movement enables the pump to consistently make a full stroke and maximize the efficiency of the entire rod lift system.

Recommended placement

The Type B tubing anchor may be placed anywhere within the tubing string and set to anchor to the casing wall. However, the most common placement is below the sucker rod pump, typically with a tubing sub between the two.

The design of the Type B tubing anchor does not always lend itself well to newer well completion methods that result in the placement of the anchor below wellbore perforations and in greatly increased sand presence. If it is necessary to use a tubing anchor below perforations, the Don-Nan Slimhole Tubing Anchor is a more suitable option.



Type B TAC

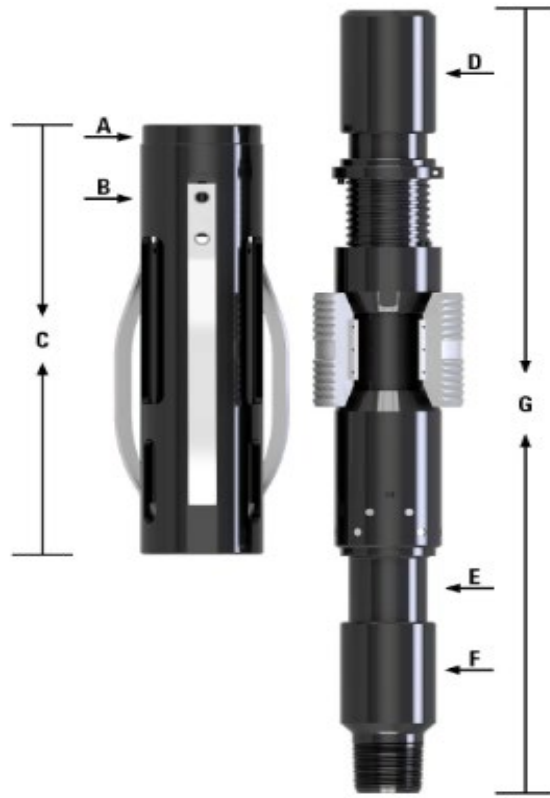
Type B Tubing Anchor Specifications

Casing			Anchor			
Size, in [mm]	Weight, lb./ft.	Min Drift, in [mm]	Max Tool OD, in [mm]	Tool ID, in [mm]	Thread Connections	[†] Annular Clearance, in [mm]
4.5 [114.30]	9.5-13.5	3.795 [96.39]	3.75 [95.25]	1.937 [49.20]	2.375 EUE 8 RD	0.151 [3.84]
5.5 [139.70]	13-23	4.545 [115.44]	4.5 [114.30]	1.937 [49.20]	2.375 EUE 8 RD 2.875 EUE 8 RD	0.196 [4.98]
7 [117.80]	20-38	5.795 [147.19]	5.5 [139.70]	2.5 [63.50]	2.375 EUE 8 RD 2.875 EUE 8 RD 3.5 EUE 8 RD	0.433 [11.00]
7.625 [193.68]	24-55.3	6 [152.40]	5.875 [149.23]	2.5 [63.50]	2.375 EUE 8 RD 2.875 EUE 8 RD 3.5 EUE 8 RD	0.735 [18.66]
9.625 [244.48]	32.3-64.9	8.125 [206.38]	8 [203.20]	3 [76.20]	2.875 EUE 8 RD 3.5 EUE 8 RD 4.5 EUE 8 RD	0.461 [11.70]

[†]Annular clearance calculated for the following casings: 4.5 in, 10 lbm/ft, 4.052-in ID; 5.5 in, 17 lbm/ft, 4.892-in ID; 7 in, 23 lbm/ft, 6.366-in ID; 7.625 in, 26.4 lbm/ft, 6.696-in ID; 9.625 in, 36 lbm/ft, 8.921-in ID

Type B Tubing Anchor Catcher

Anchor for enhanced pumping efficiency



Type B Tubing Anchor Catcher

Physical Dimensions, in [mm]

		4.5 [114.30]	5.5 [139.70]	7 [117.80]	7.625 [193.68]	9.625 [244.48]
Description	Item					
Cap, OD	A	3.75 [95.25]	4.37 [111.00]	5.375 [136.53]	5.375 [136.53]	6.933 [176.02]
Cage, OD	B	3.75 [95.25]	4.5 [114.30]	5.5 [139.70]	5.5 [139.70]	7 [177.80]
Cage, Length	C	23.09 [586.49]	18.84 [478.56]	18.25 [463.55]	18.25 [463.55]	23.48 [596.39]
Coupling, OD	D	3.13 [79.50]	3.69 [93.73]	3.687 [93.65]	3.687 [93.65]	5.563 [141.30]
Mandrel, ID	E	1.94 [49.28]	2.41 [61.21]	2.5 [63.50]	2.5 [63.50]	3 [76.20]
Crossover Sub, OD	F	2.88 [73.15]	3.5 [88.90]	3.69 [93.73]	3.69 [93.73]	4.75 [120.65]
Anchor, Length	G	38.5 [977.90]	36.38 [924.05]	37.5 [952.50]	37.5 [952.50]	42.615 [1082.42]

BUILT TO LAST

Made to Perform

Headquarters

811 Willow Oak Dr,
Missouri City, TX 77489
(281) 495-1100

Midland Campus

3427 E Hwy 158,
Midland, TX 79706
(432) 967-5575

LUFKIN Don-Nan is an API 11AX certified manufacturer for 25 continuous years and counting.

Ref: 09042022

lufkin.com/donnan